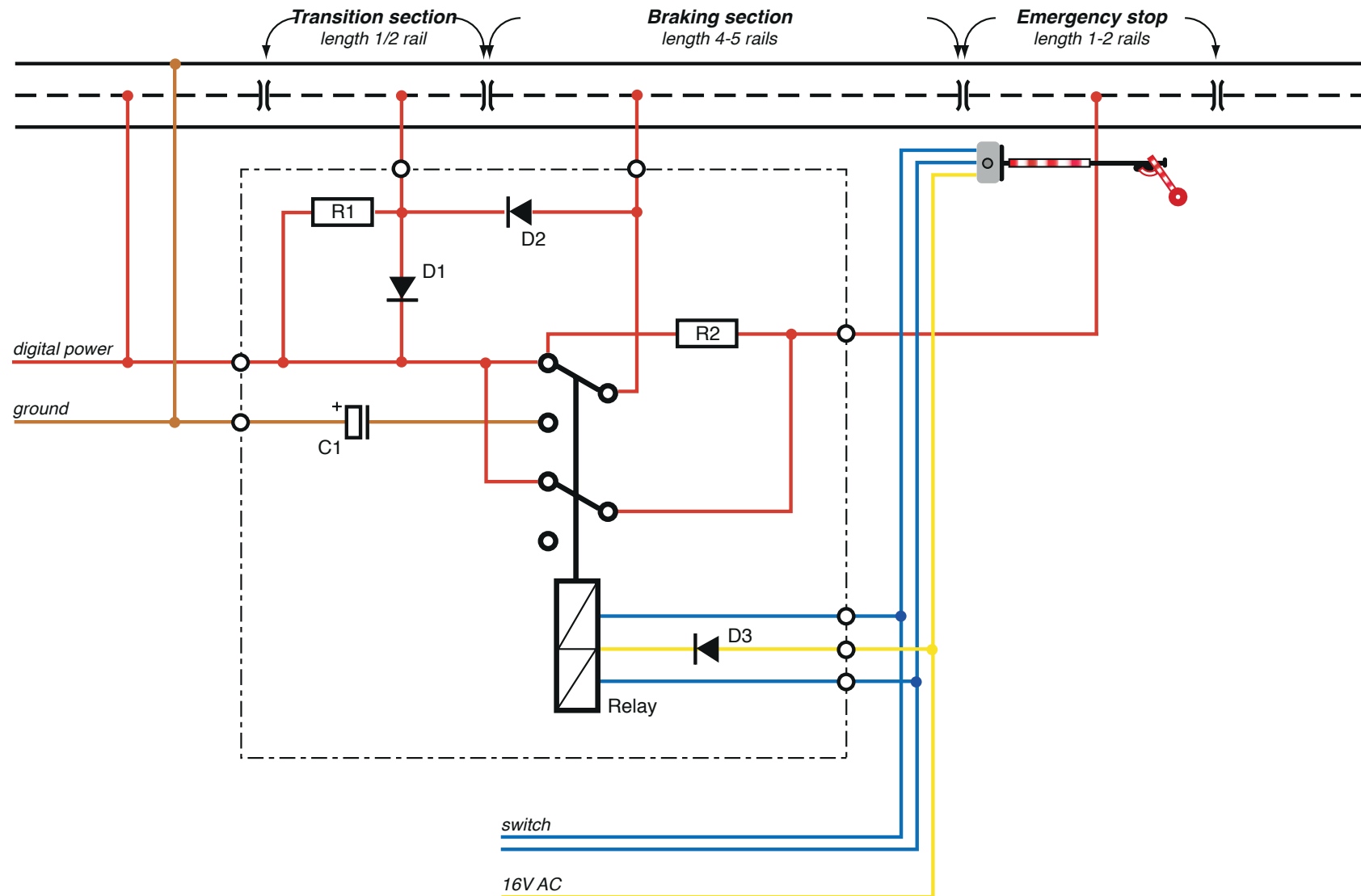


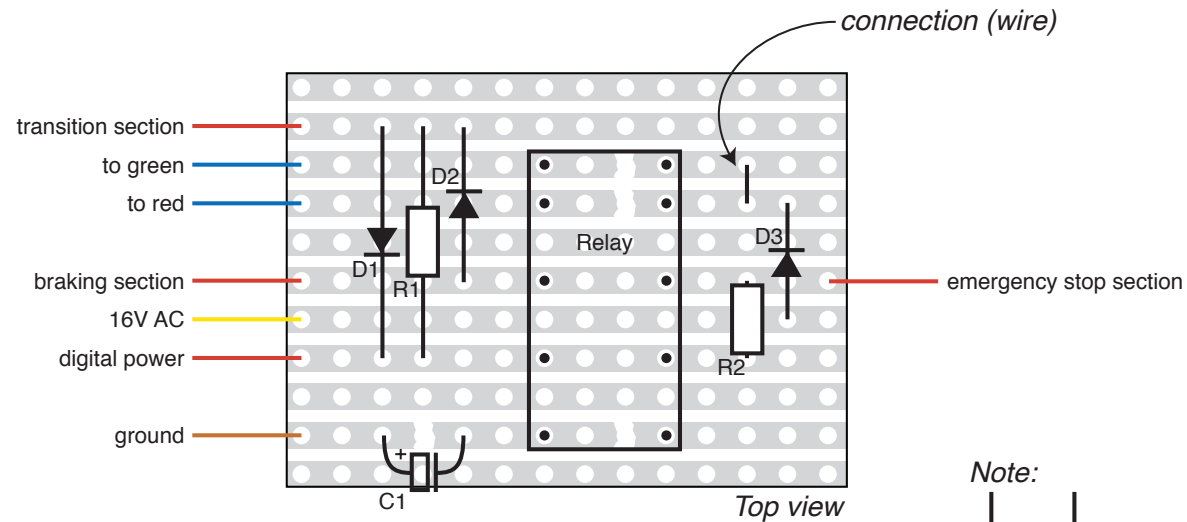


Basic set-up with bistable relay

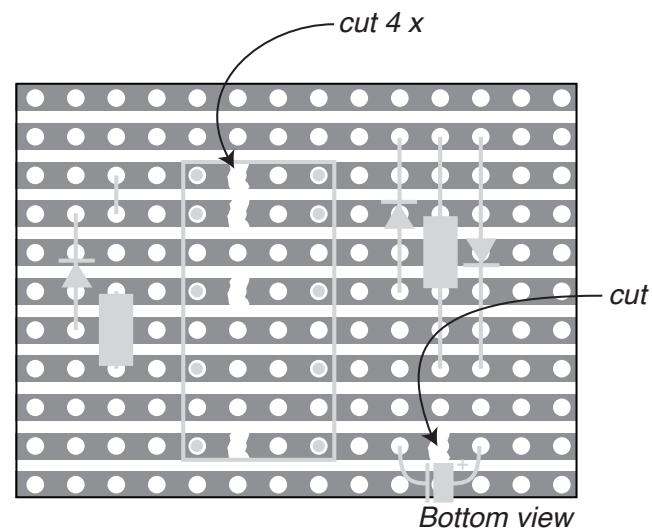
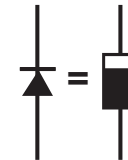




Building the basic set-up on veroboard

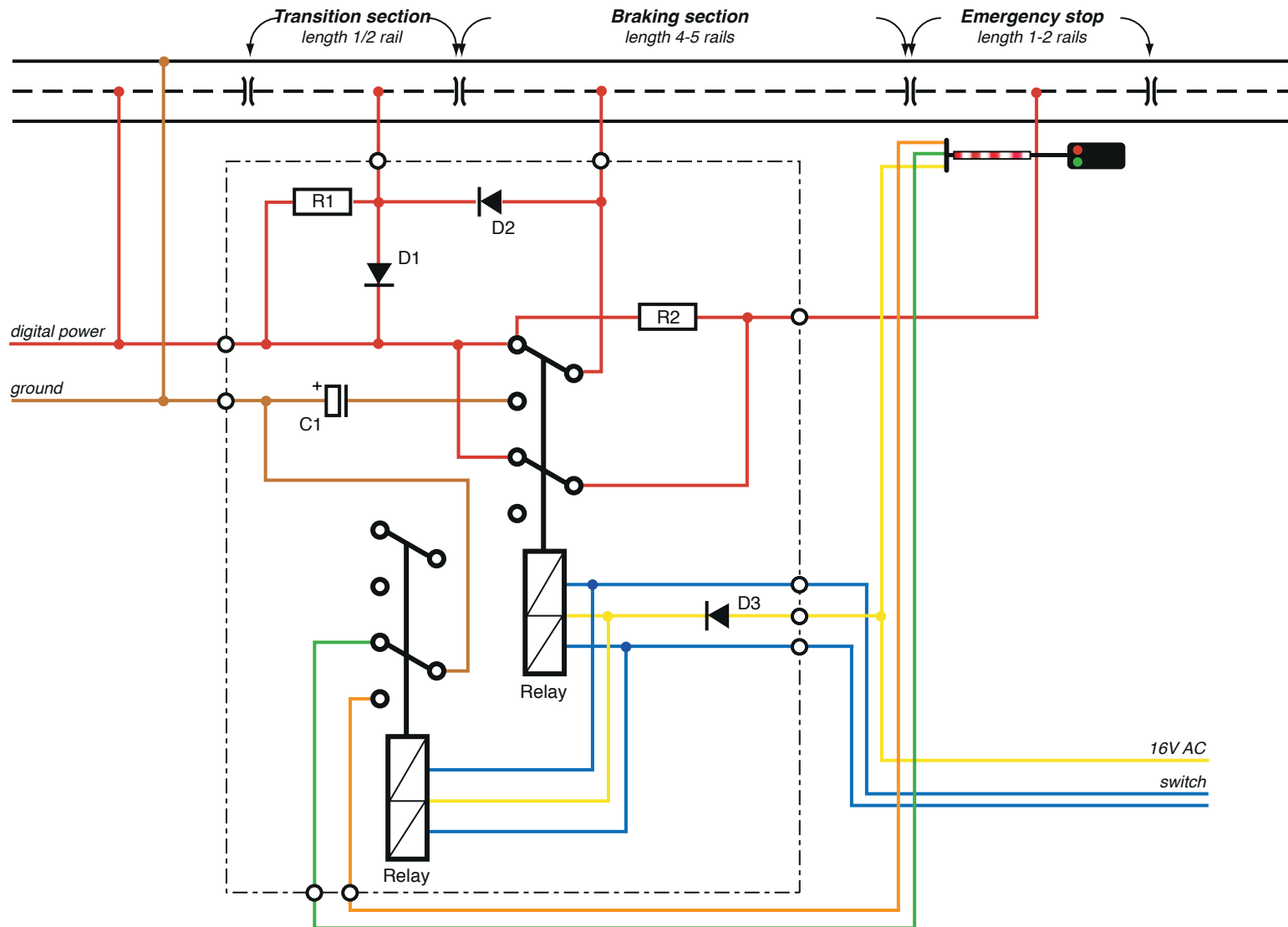


Note:



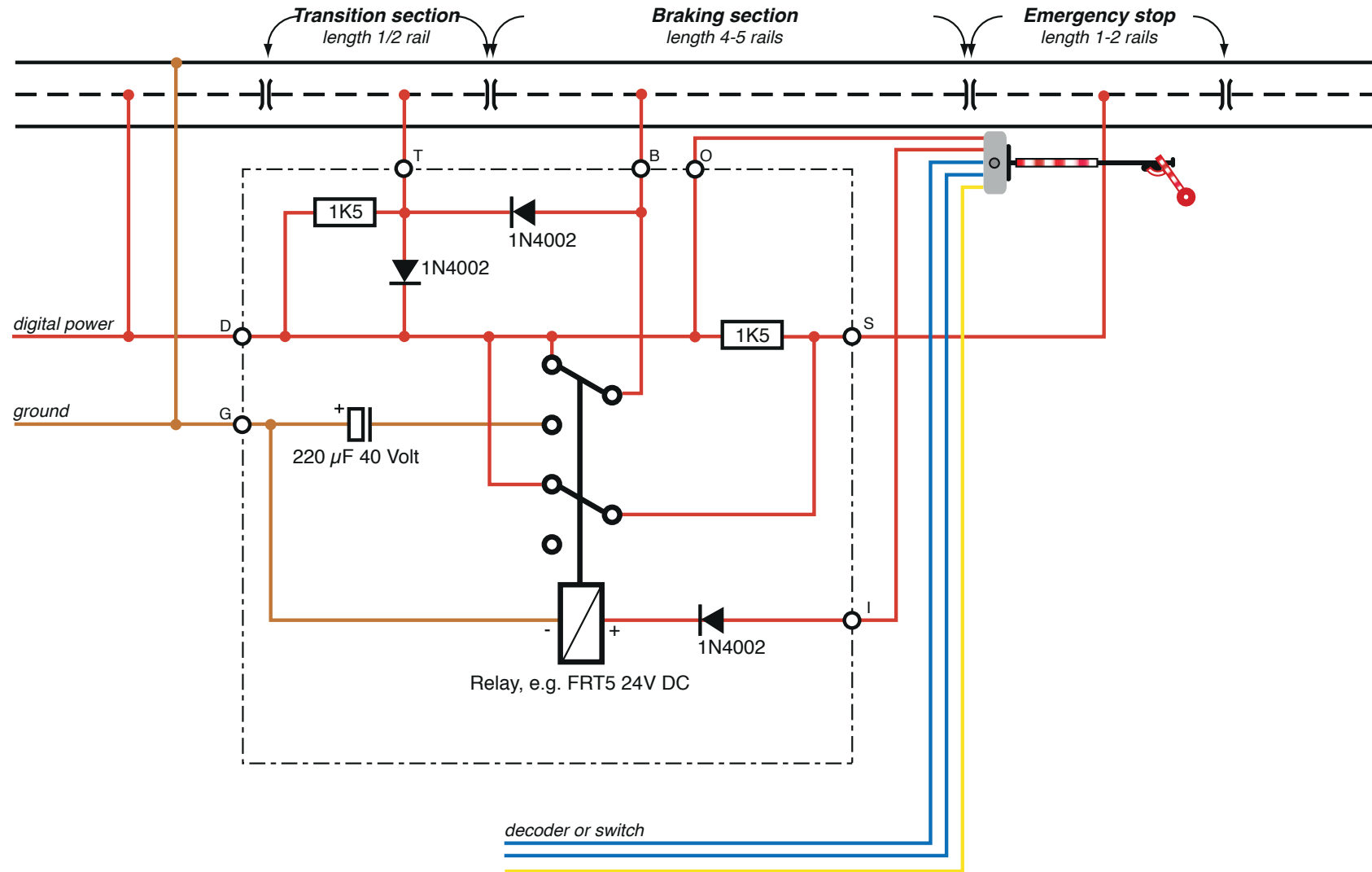


Alternative for light signals



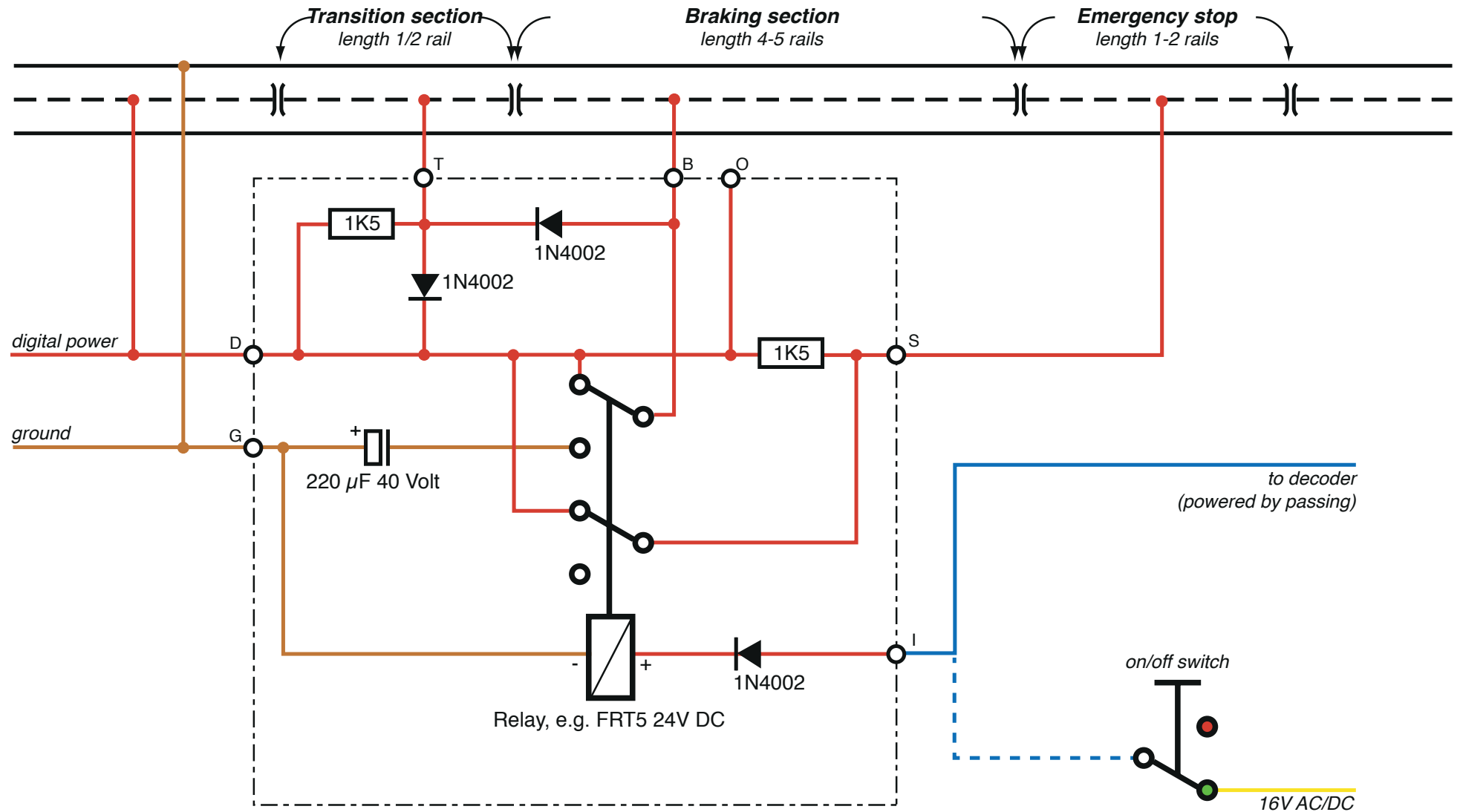


Solution with a simple monostable relay



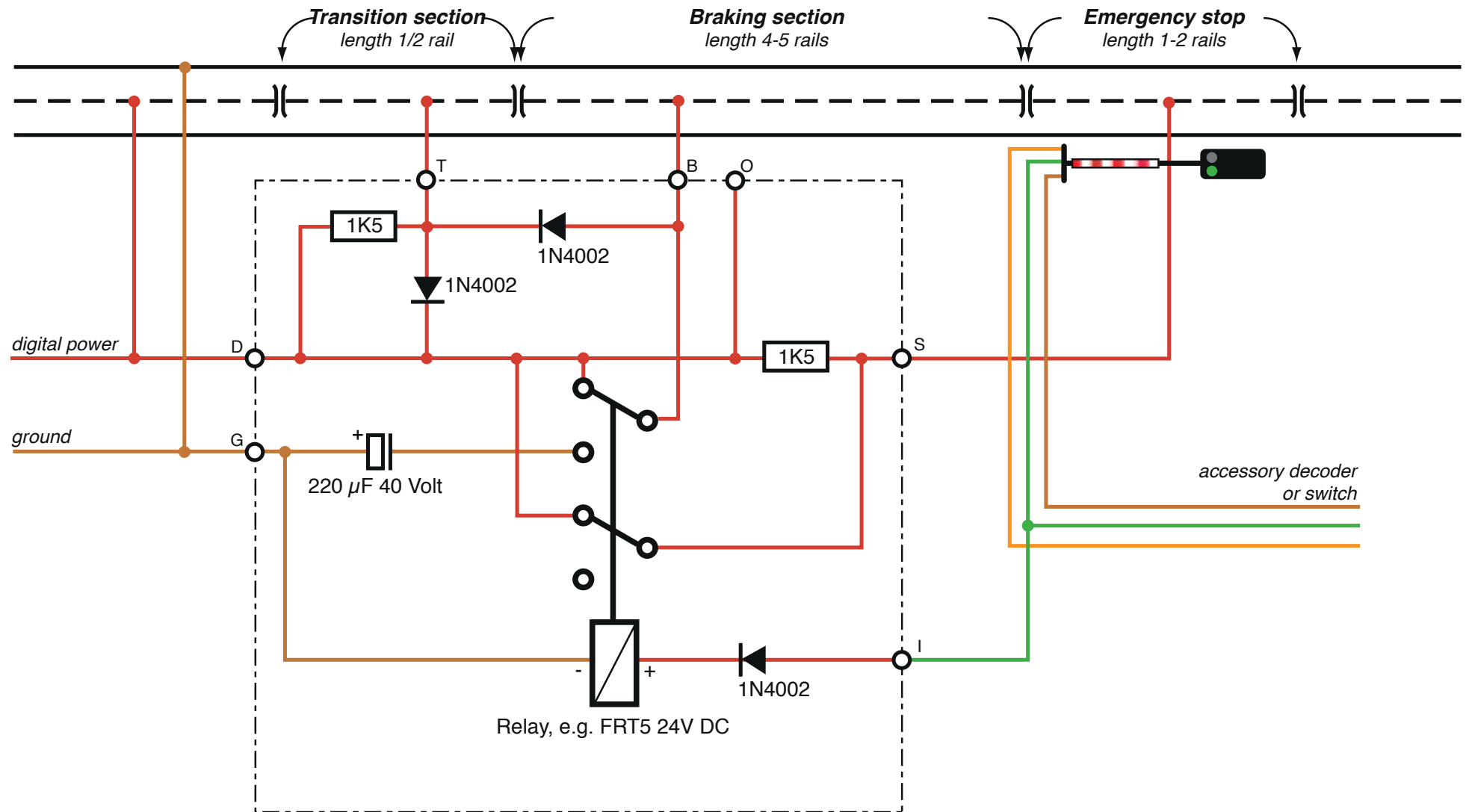


Monostable relay without a signal





Monostable relay with a light signal





Monostable latching relay

